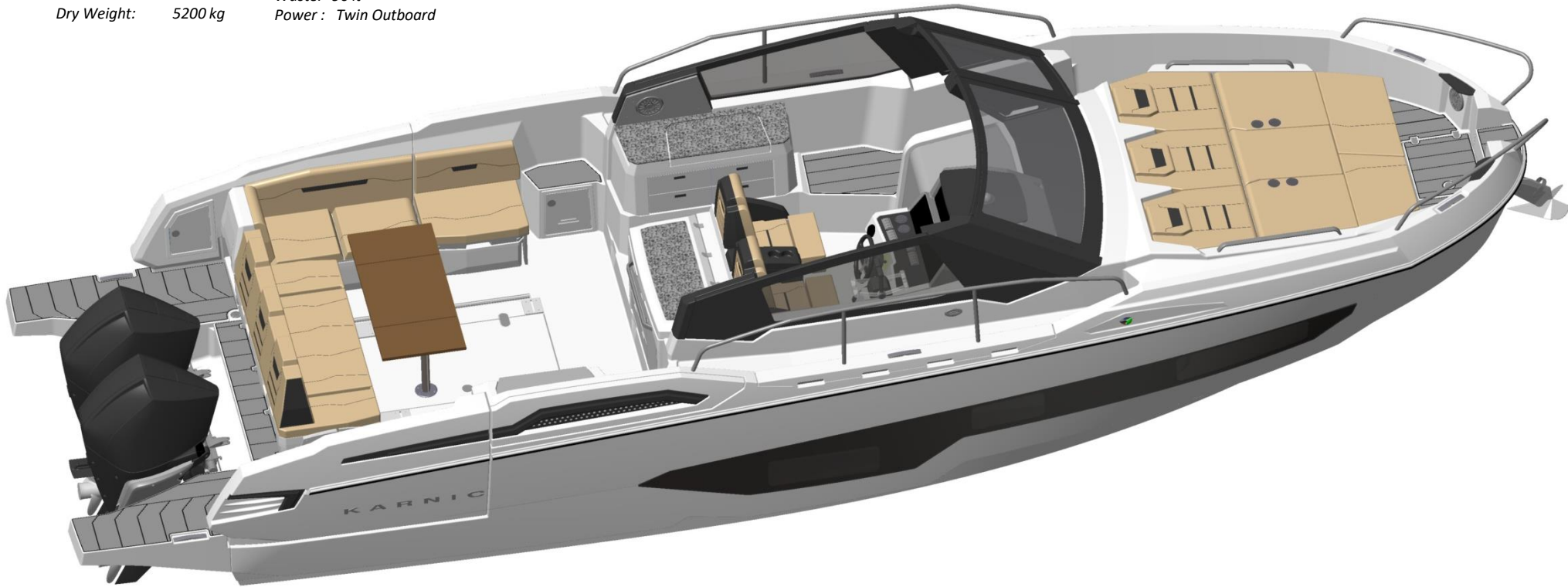


New Karnic **CS10-s** Model Presentation

SPECIFICATION

Length Overall:	10.65 m	Fuel:	2 x 285 lt
Hull Length:	9.50 m	Water:	200 lt
Beam:	3.30 m	Waste:	90 lt
Dry Weight:	5200 kg	Power:	Twin Outboard



Modules Deployed



Plan View

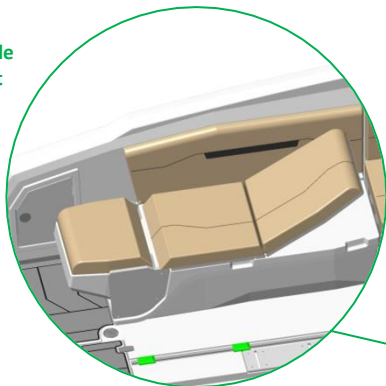


Profile

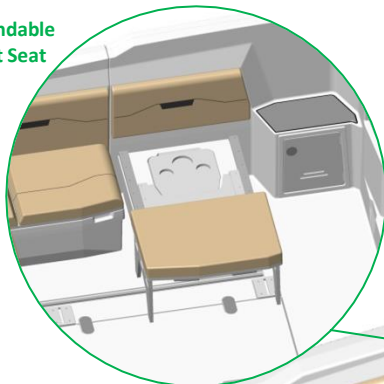


Rear Deck

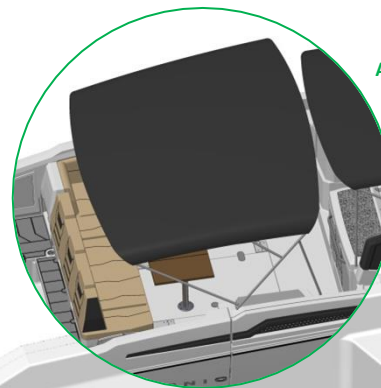
Convertible Side Seat



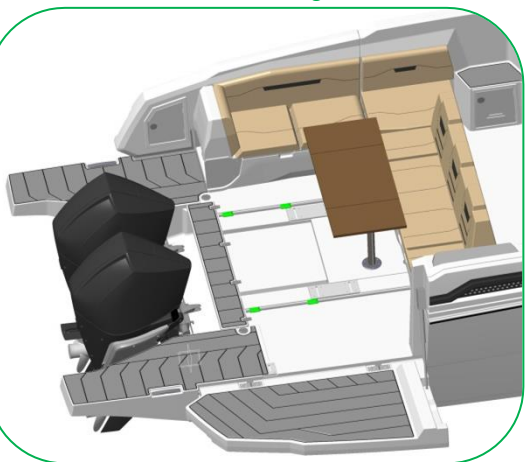
Extendable Port Seat



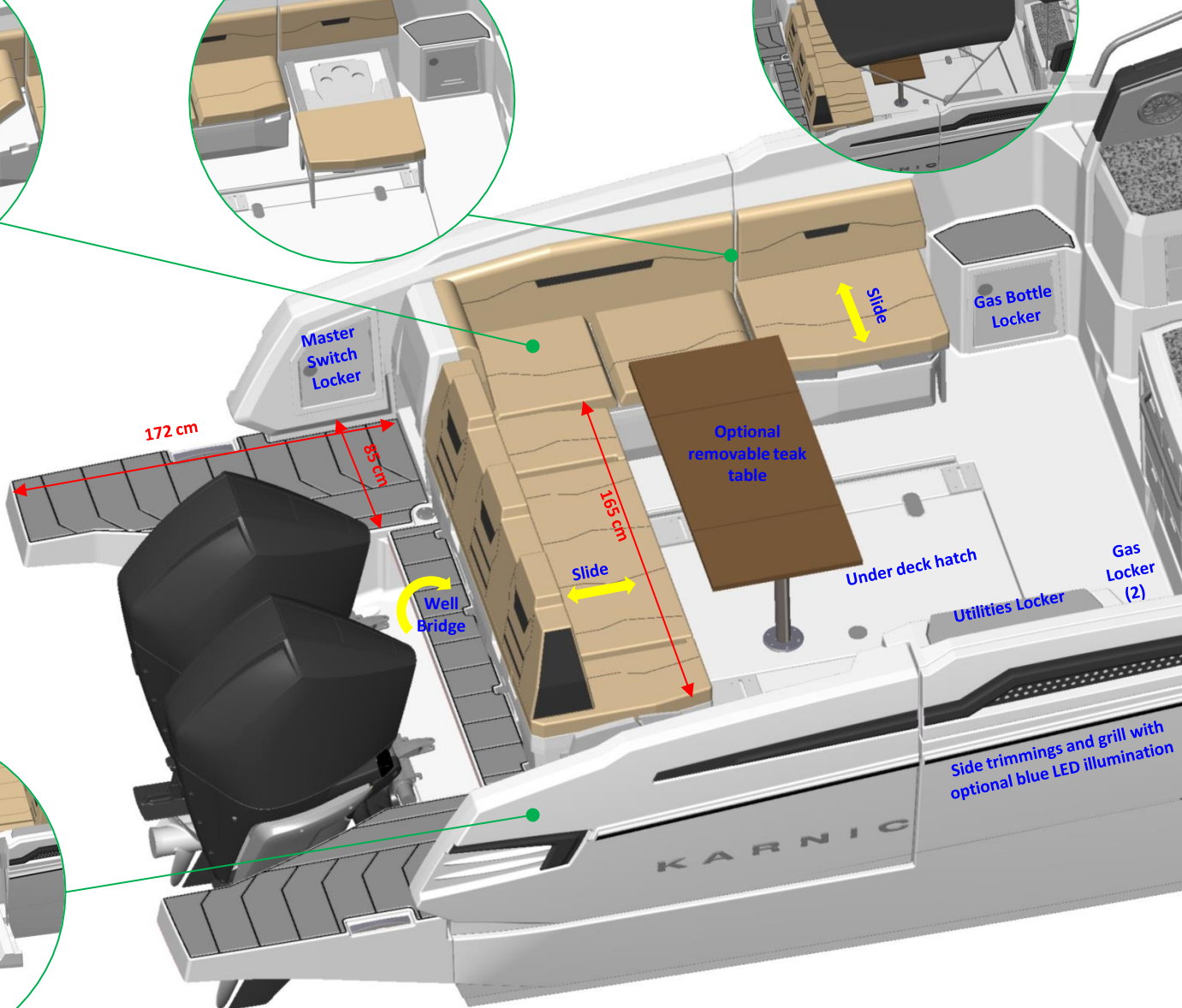
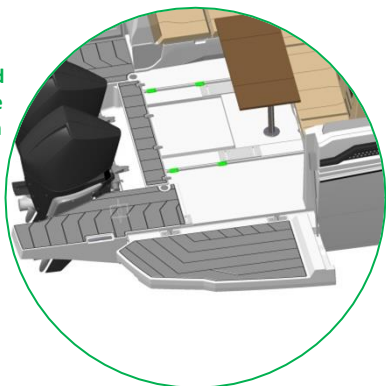
Aft Deck Bimini



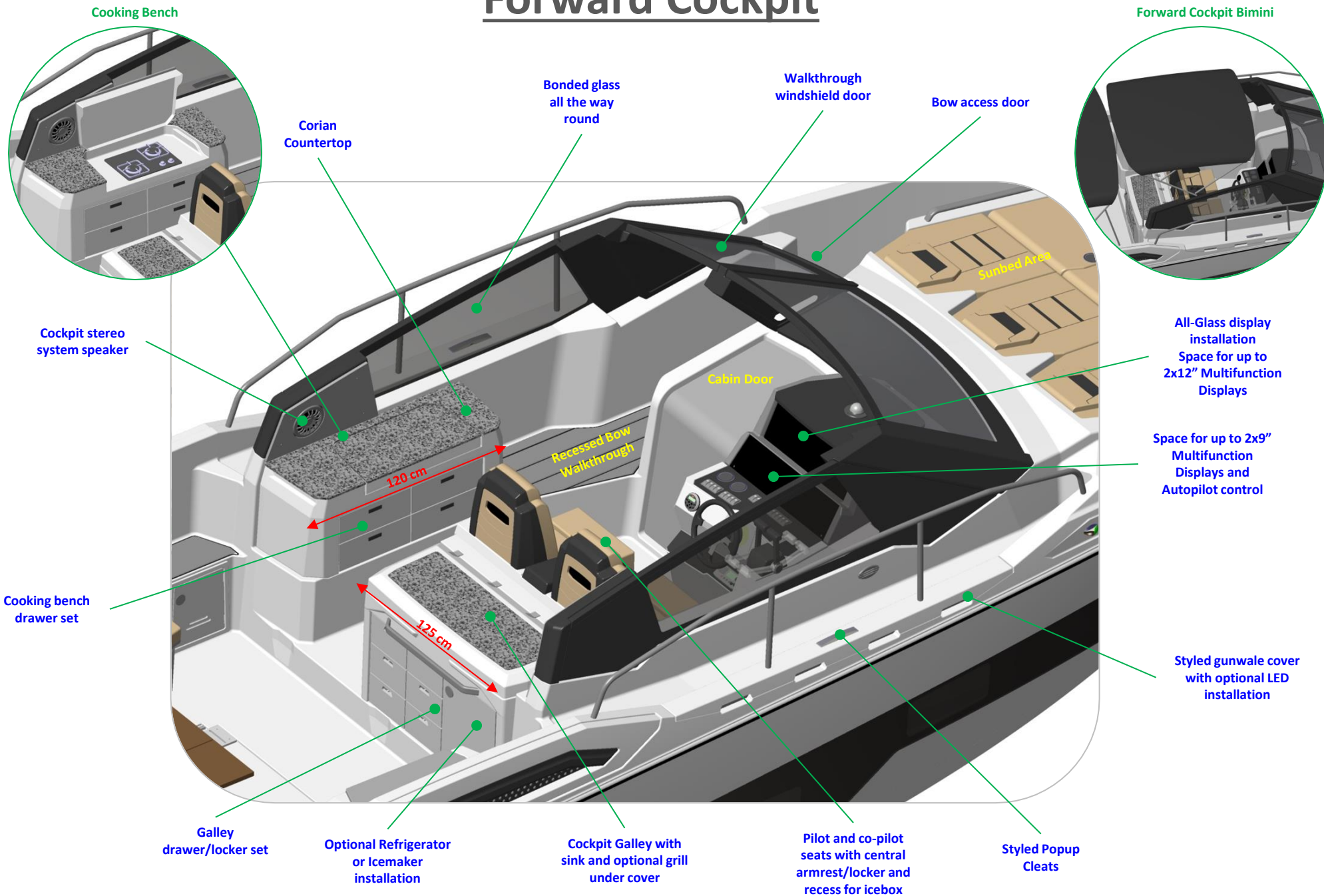
Stern Aft Facing Salon



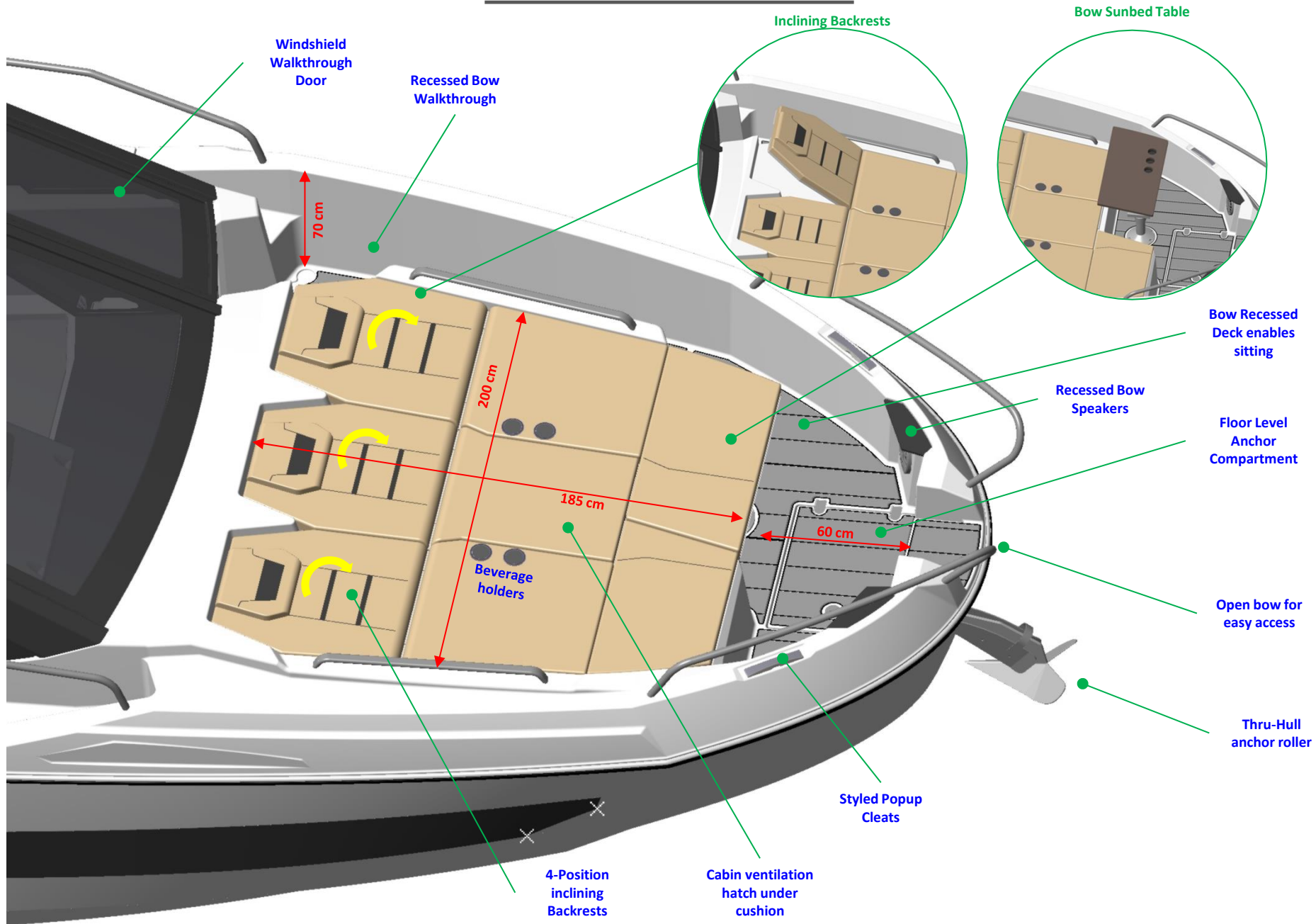
Unfolded Gunwale Platform



Forward Cockpit



Bow and Sunbed



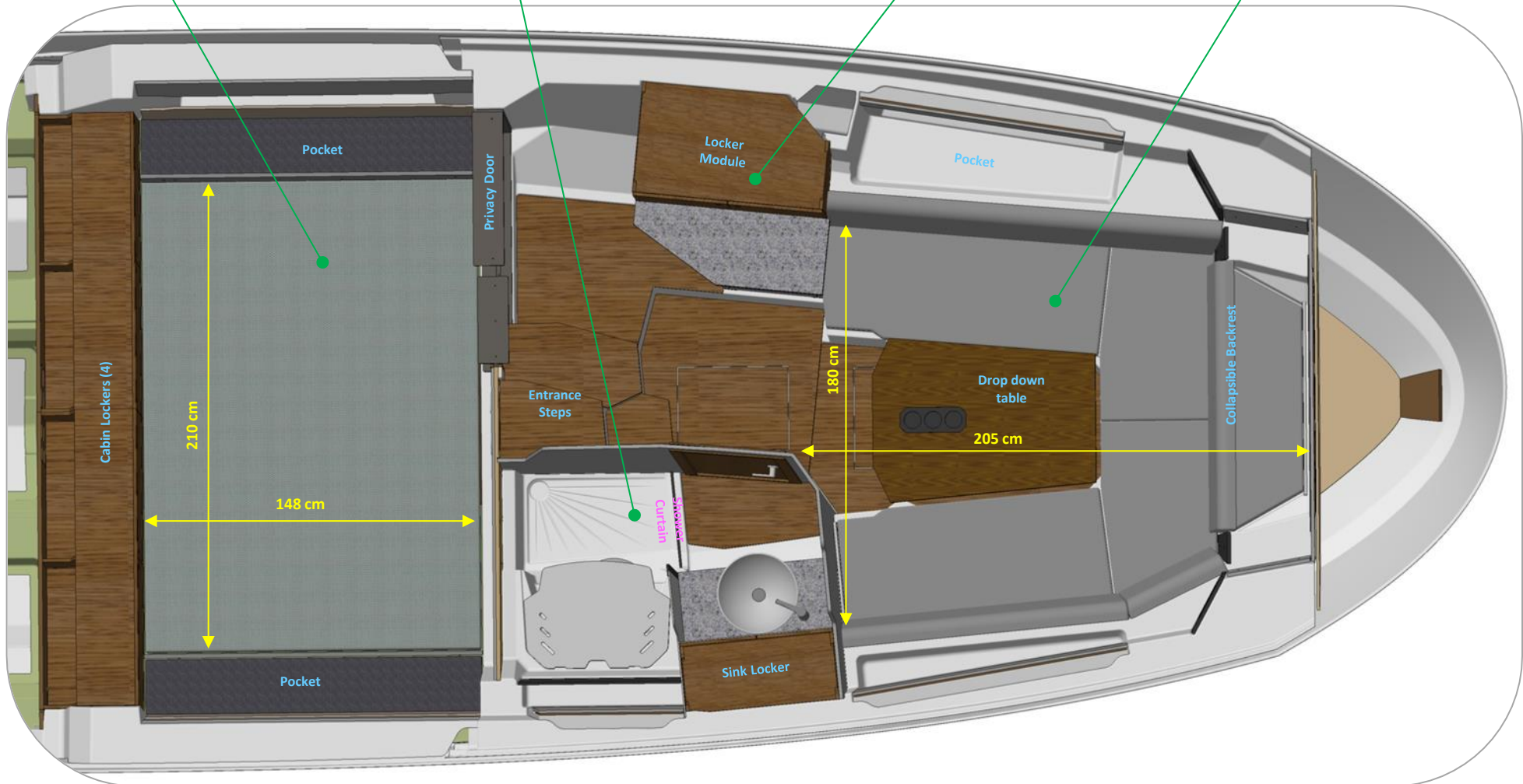
Cabin Interior

Full beam mid-cabin with privacy door, portholes (2) storage pockets (2) and Lockers (4)

WC-Shower compartment with separate shower area

Locker module with Corian benchtop and refrigerator under

Cabin dinette convertible to bed



CS10-HT (Hardtop Version) Preliminary Render



Standard Features and Accessories

CONSTRUCTION

- All composite foam injected hull structure with osmosis resistant vinyl ester skin coat
- 3-ply interior walling for maximum insulation
- Floors and walls designed with moisture drain channels
- Bonded interior cabinetry and door frames
- Real wood interior

STERN AND REAR COCKPIT

- Central bench seat with convertible backrest movable forward to form reverse L-shape sitting arrangement
- Port side seat with collapsible backrest and inclining cushion
- Internal seat storage
- Removable tri-fold table
- Opening starboard gunwale
- Lazarette and stern side sole storage
- Gas and spare gas bottle lockers (2)
- AC supply cable locker
- Concealed LED lighting
- Extended swim platforms
- Engine well bridge connection
- DC master switch locker
- Concealed pop-up cleats

HELM AND FWD COCKPIT

- Twin helm seat with covered rear galley and icebox storage recess
- Rear galley with sink, drawer storage and optional refrigerator/icemaker and electric grille installation
- Separate cooking bench
- All Corian bench tops
- All-glass dashboard
- Bonded glass windshield with access door to bow deck

BOW AND SUNBED AREA

- Recessed bow walkthrough via opening windshield door
- Triple sunbed with individual backrests adjustable at 4 inclining positions
- Sunbed grab rails and drink holders
- Retractable table at bow for 3 persons
- Forward deck speakers
- Under cushion cabin hatch
- Thru-hull anchor installation
- Extended lower level deck with bow access

SHOWER-WC COMPARTMENT

- Wash basin fitted on Corian benchtop
- Mirror cabinet
- Illumination window with opening porthole
- Window curtain
- Shower enclosure with seat
- Towels cabinet
- Electric toilet

INTERIOR

- Bow dinette for 5 persons with drop down table convertible to full bed
- Overhead bow locker
- Forward illumination windows and portholes (2)
- Window curtains
- Under seat storage, sides and bow
- Port furniture module with refrigerator, Corian bench top and lockers
- Full beam mid-cabin with 4-cabinet storage and privacy door
- Mid-cabin port and starboard illumination window and porthole
- Mid-cabin storage pockets
- Mid-cabin bed mattress
- Shower/WC compartment with separate shower enclosure
- Shower/WC compartment cabinet with mirror doors and under basin locker

OTHER FEATURES AND INSTALLATIONS

- Forward, rear and middle heavy duty styled cleats
- Stainless steel deck rails
- Navigation lights, LED
- Horn
- Automatic bilge pumps(2)
- Hot water boiler
- Shore power including battery charger
- Port side seat extension extendable for table use (Optional)

Optional Equipment

MODEL VERSIONS

- Model CS10-S blank boat
- Model CS10-S with Engine Package 1
- Model CS10-S with Engine Package 2

INTERIOR COLOUR OPTIONS AND TRIMMINGS

- Mist - Grey shades for cushions and interior
- Storm - Grey shades for cushions and interior
- Almont - Brown shades for cushions and interior
- Cherry - Burgundy/grey for shades cushions and interior
- Sunstone - Deep orange/grey for shades cushions and interior
- Carbon side deck trimmings

WOODWORK OPTIONS

- Walnut interior cabinetry and floors
- Origio interior cabinetry and floors
- White oak interior cabinetry and floors

SYSTEMS AND EQUIPMENT

- Bow thruster
- Trim tabs
- Deck saltwater washdown
- Cockpit galley electric grill
- Cockpit galley refrigerator
- Cockpit galley icemaker
- Air condition 10000 btu, cabin dinette and mid-cabin
- Anchor and chain installation
- AC inverter 12/220V-50HZ, 3000W incl. battery charger
- Battery set Start1, Start2, Service and Bow (4 units x 100Ah)
- Service deep cycle battery pack 4x120 Ah

ELECTRONICS AND ELECTRICAL

- Single 12" Raymarine Axiom+RV, all glass installation (GPS antenna & card reader included)
- Twin 12" Raymarine Axiom, all glass installation (GPS antenna & card reader included)
- Twin 9" Raymarine Axiom, all glass installation (GPS antenna & card reader included)
- Depth/fishfinder transducer P79
- Ray53 VHF with integral GPS receiver
- Ray73 VHF with integral GPS and AIS receiver
- Raymarine Autopilot
- External blue LED styling lights (Deck grille, side cover, sunbed)
- Cabin dinette indirect blue LED lighting
- Underwater blue LED lights

CANVAS AND SHADE

- Bimini top, forward cockpit
- Forward bimini front and side weather covers
- Bow sunbed shadow cover with connection to bimini
- Bimini top, aft deck with connection to forward bimini
- Full aft deck enclosure
- Aft bimini side perforated shadow covers
- Cockpit cover, forward cockpit including galley
- Cockpit cover, forward cockpit and aft deck
- Portlight mosquito screens

FLOORING

- SeaDek flooring, aft deck
- SeaDek flooring, helm area
- SeaDek flooring, bow corridor
- Vinyl 'Infinity' snap-on floor cover in cabin